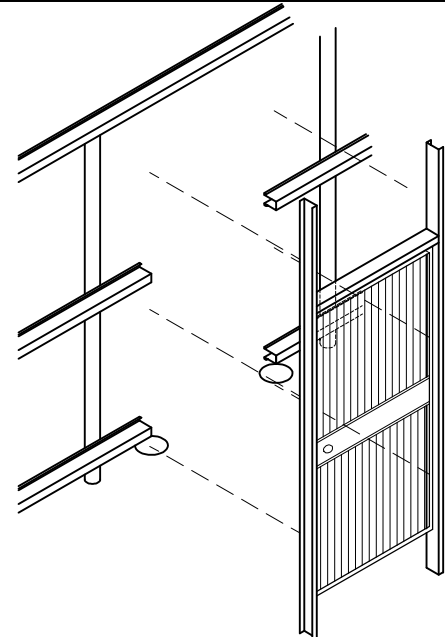
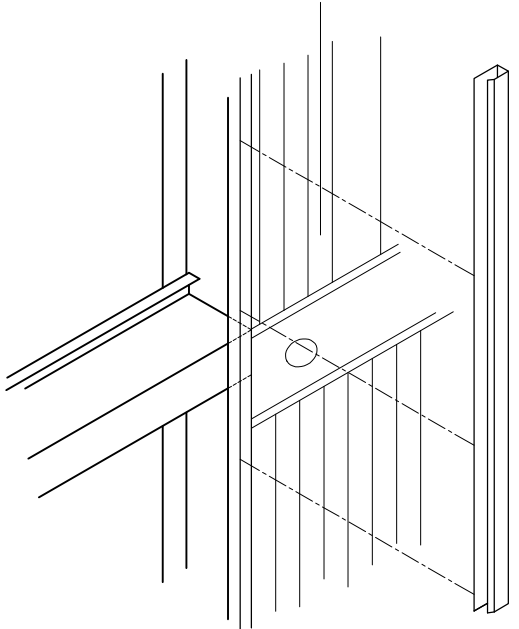


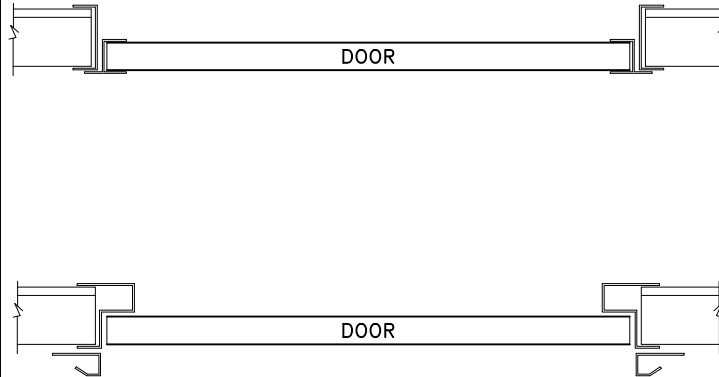
1 PRE - ASSEMBLED DOOR



2 ASSEMBLING SWING DOOR



3 ATTACH FLASHING

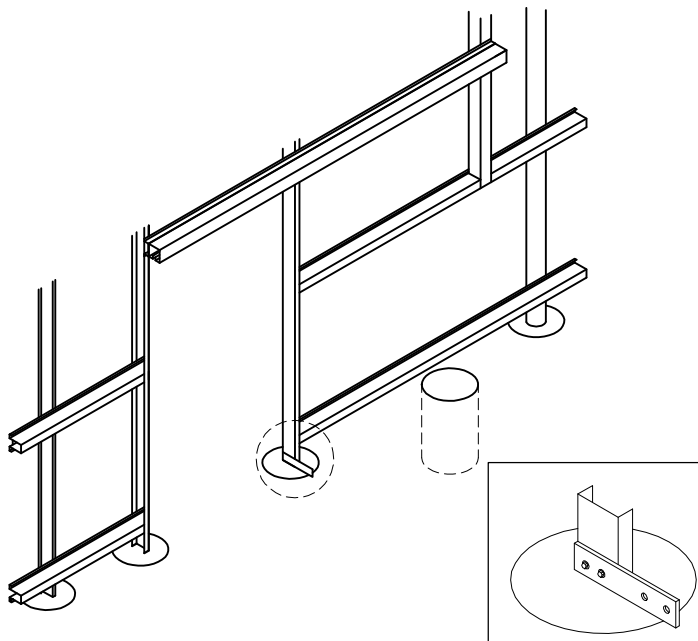


TOP VIEW DOOR

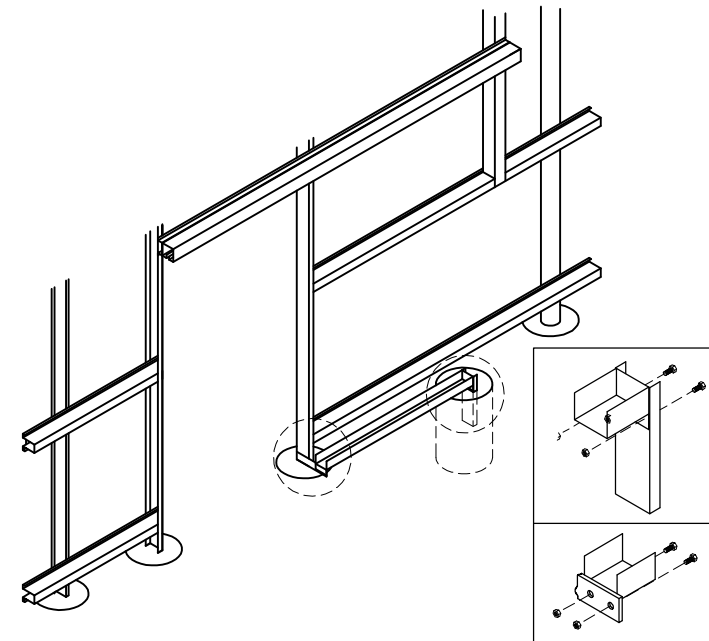
4 DETAILS FOR STEPS 2 AND 3

DOOR MANUAL
GENERAL INSTALLATION

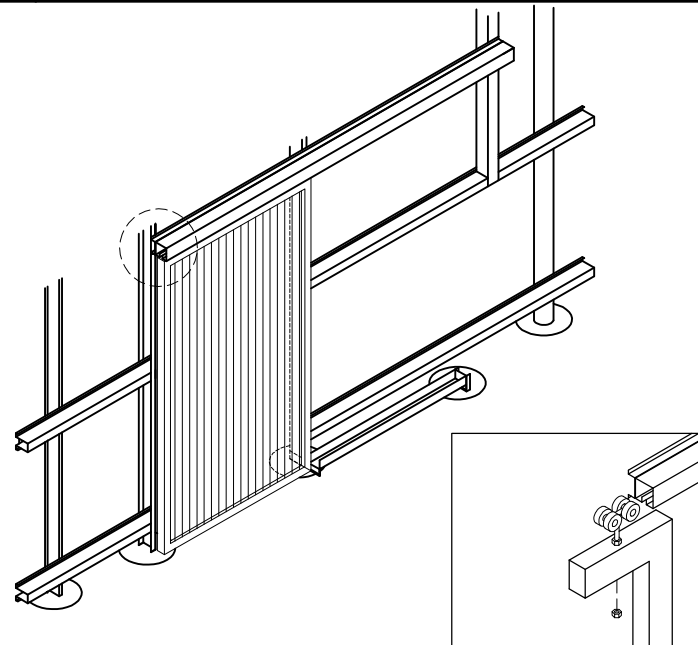




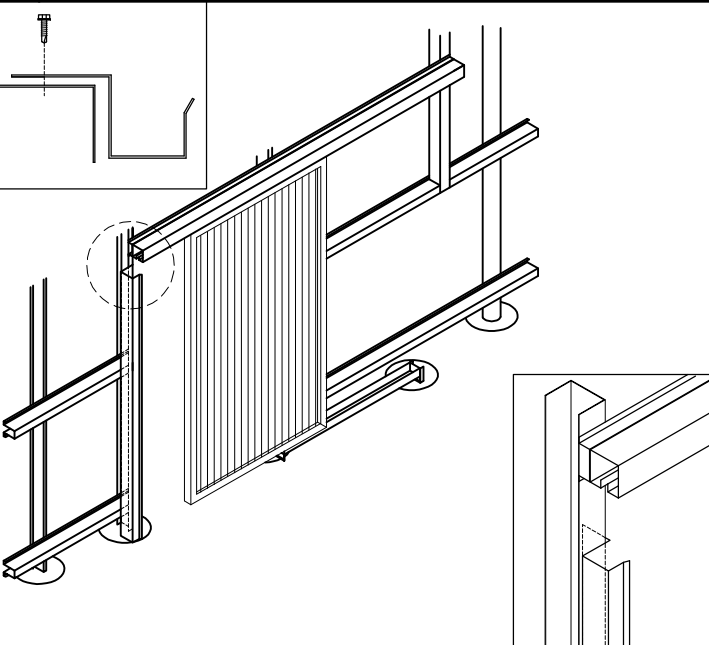
1 | BOTTOM TRACK FLAT BAR



2 | BOTTOM TRACK INSTALLATION



3 | ATTACH DOOR INTO TOP TRACK



4 | ATTACH DOOR TRACK STOP

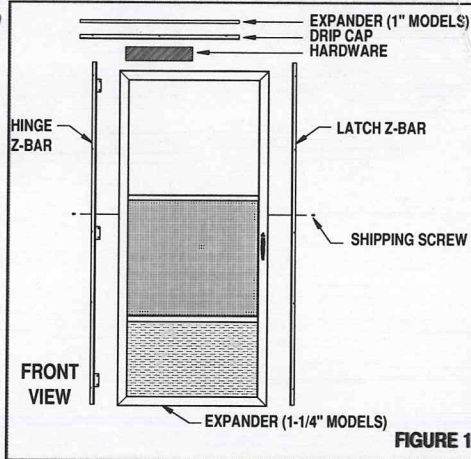
DOOR MANUAL
GENERAL INSTALLATION



A BEFORE YOU GET STARTED

1. TOOLS NEEDED

- Drill
 - 3/32" bit
 - 1/8" bit
 - 5/16" bit
- Phillips screwdriver
- Slotted screwdriver
- Hacksaw
- Tape Measure
- Hammer
- Pencil
- Pliers
- Punch (use nail)



2. Lay door flat. Remove packaging.

Remove hardware and drip cap from top cardboard boot. Remove flat expander from top boot (applies to 1" thick models only).

3. Detach hinge z-bar and latch side z-bar from door.

To do this, remove **one (1)** shipping screw on each side of door. (Reinstall screws once z-bars are unattached.) See Figure 1

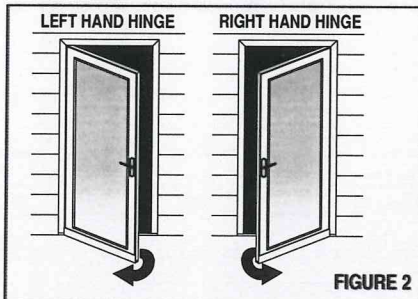
4. Remove glass sashes (if applicable).

This makes your door lighter while installing.

5. Make sure house door trim is nailed securely to support your new storm door.

B DETERMINE HINGE SIDE

1. Looking at your door opening from the outside, determine which side you want the hinge on. See Figure 2



C INSTALL HINGE Z-BAR ON DOOR

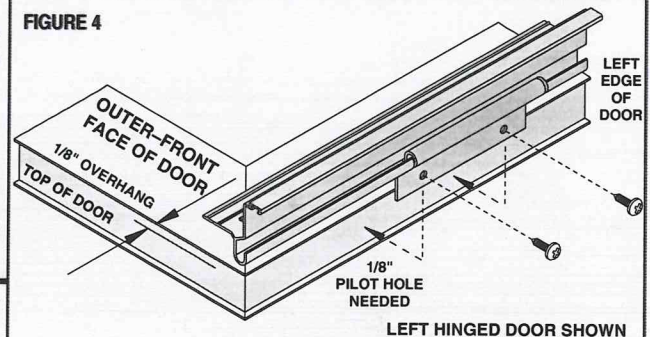
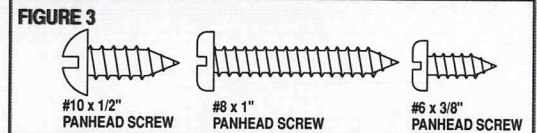
See Figures 4 & 5

1. With door laying flat (outside face of door up) position hinge z-bar on selected hinge side as shown.

2. Align each hinge leaf along **inside edge** of door, allowing z-bar to overhang 1/8" at top of door.

3. Mark hinge holes, and drill 1/8" pilot holes.

4. Install two (2) #10x1/2" panhead screws per hinge to complete attachment.



D INSTALL EXPANDER SWEEPS

Some 1-1/4" MODELS: "U" shaped expander comes attached to door

1. Remove expander from bottom of door.
 2. Install vinyl sweep in bottom of expander. See Figure 6
 3. Crimp both ends of sweep channel.
 4. Trim excess sweep with scissors.
 5. Reposition expander on bottom of door.
- * DO NOT FASTEN UNTIL STEP H

1-inch and 1-1/4-inch MODELS: Flat expander, shipped loose in top boot with hardware

1. Install vinyl sweep in bottom of expander. See Figure 6
 2. Crimp both ends of sweep channel.
 3. Trim excess sweep with scissors.
- * DO NOT FASTEN UNTIL STEP H

