

COOP-10
 Kuhl Road, P.O. Box 26
 Flemington, N.J. 08822-0026 U.S.A.
 Phone: 201/782-5696
 Telex 6711648Kuhl UW
 Telefax 201/782-2751

A corporation devoted exclusively to the sales and service of Kuhl Poultry Equipment, Egg Handling Equipment and Specialized Equipment for the Food Processing Industry.

INSTRUCTIONS FOR ASSEMBLING NEW KNOCKED-DOWN POULTRY AND TURKEY CRATES

Put the bottom of the crate inside the proper metal assembling frame. put the four corner-parts on the four corners of the crate paying attention that the side of the corner-part with the vertical round hinge is towards the small side (to mount a door on the small side when required).

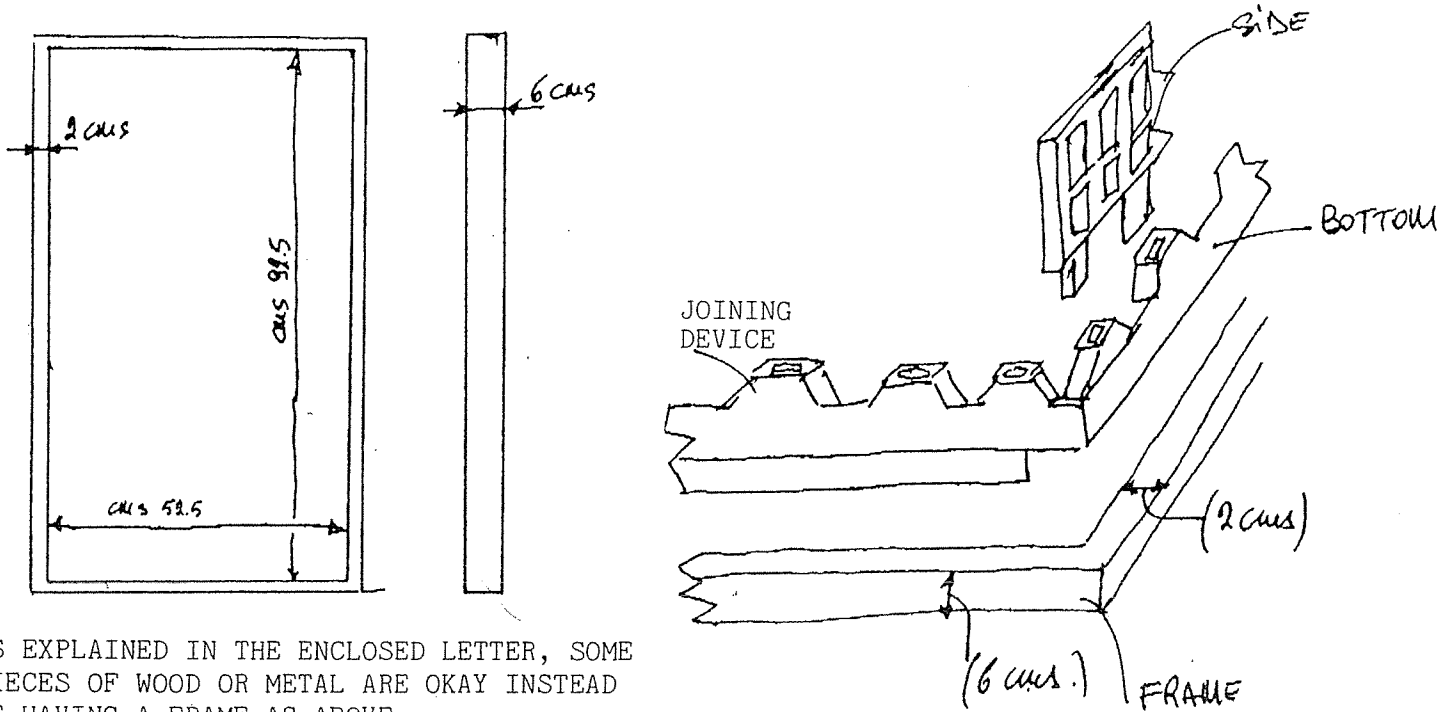
Put a piece of wood on the corner-part and hammer on it; the joining hooks will enter the proper cavities of the bottom. Pins to fit hooks inside cavities are suggested. After joining the four corner-parts, use the same system to fit the sides, and the bottom of the crate using the piece of wood.

The upper part of the side of the crate must be placed inside the "U" shape of the wood. Pay attention that the deeper ribs of the side are towards the inside of the crate. After doing this, lay the lid (top) over the sides and the four corner-parts. Keep the sides and the four corner-parts in the right position to allow them to enter proper cavities on the top.

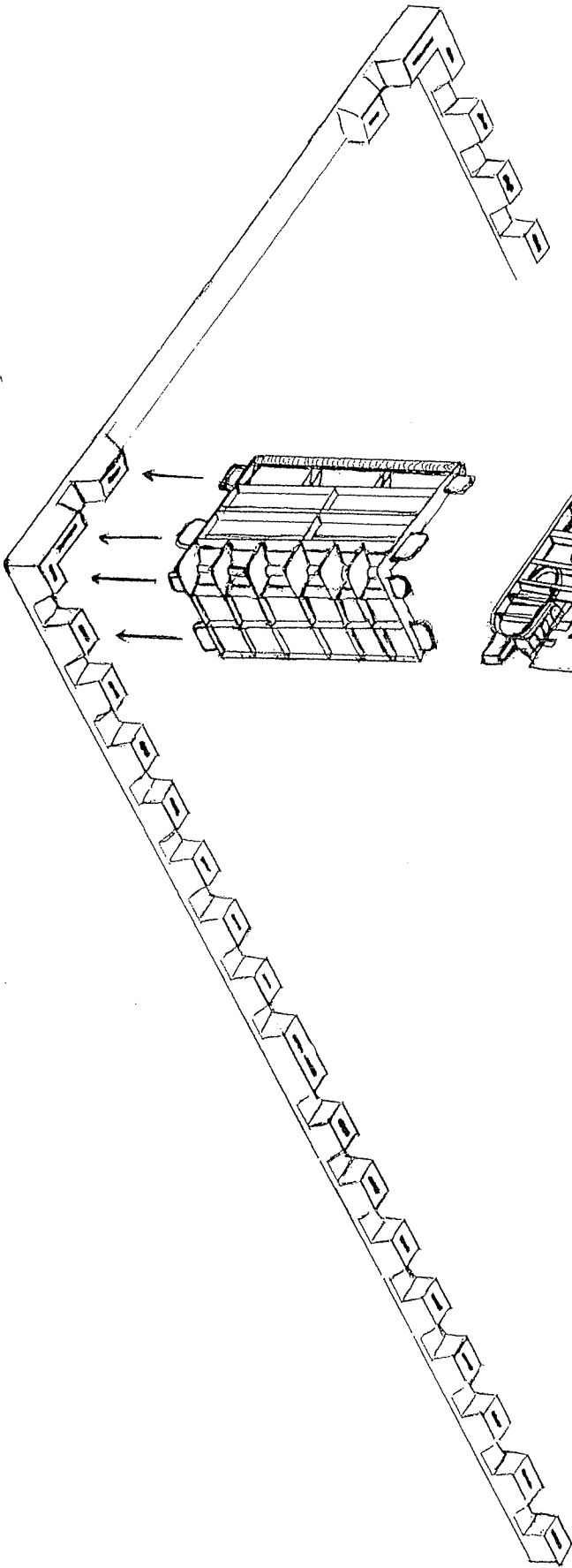
Hammer the perimeter of the lid lightly, always putting wood between hammer and the parts of the crate, starting at one point and going round the entire perimeter.

Check that all hooks are well fitted inside cavities of the bottom and of top. Assemble the side doors of the crate on the round hinges hammering slightly or with pins.

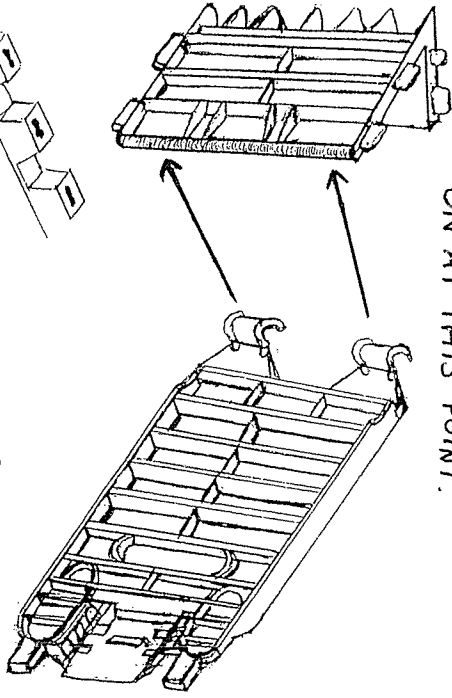
SKETCH OF A METAL/WOODEN FRAME SUGGESTED TO ASSEMBLE UNIVERSAL COOPS

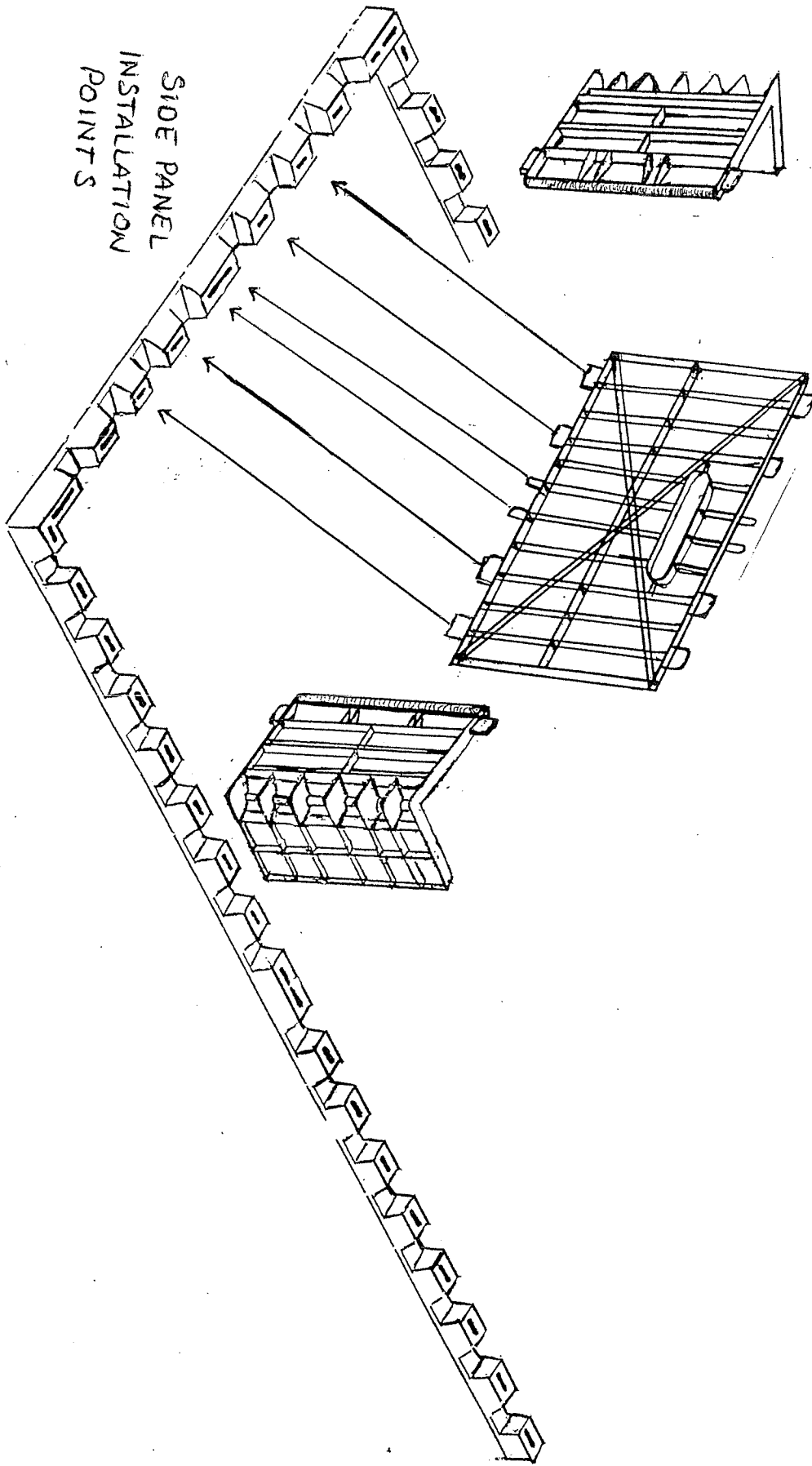


AS EXPLAINED IN THE ENCLOSED LETTER, SOME PIECES OF WOOD OR METAL ARE OKAY INSTEAD OF HAVING A FRAME AS ABOVE



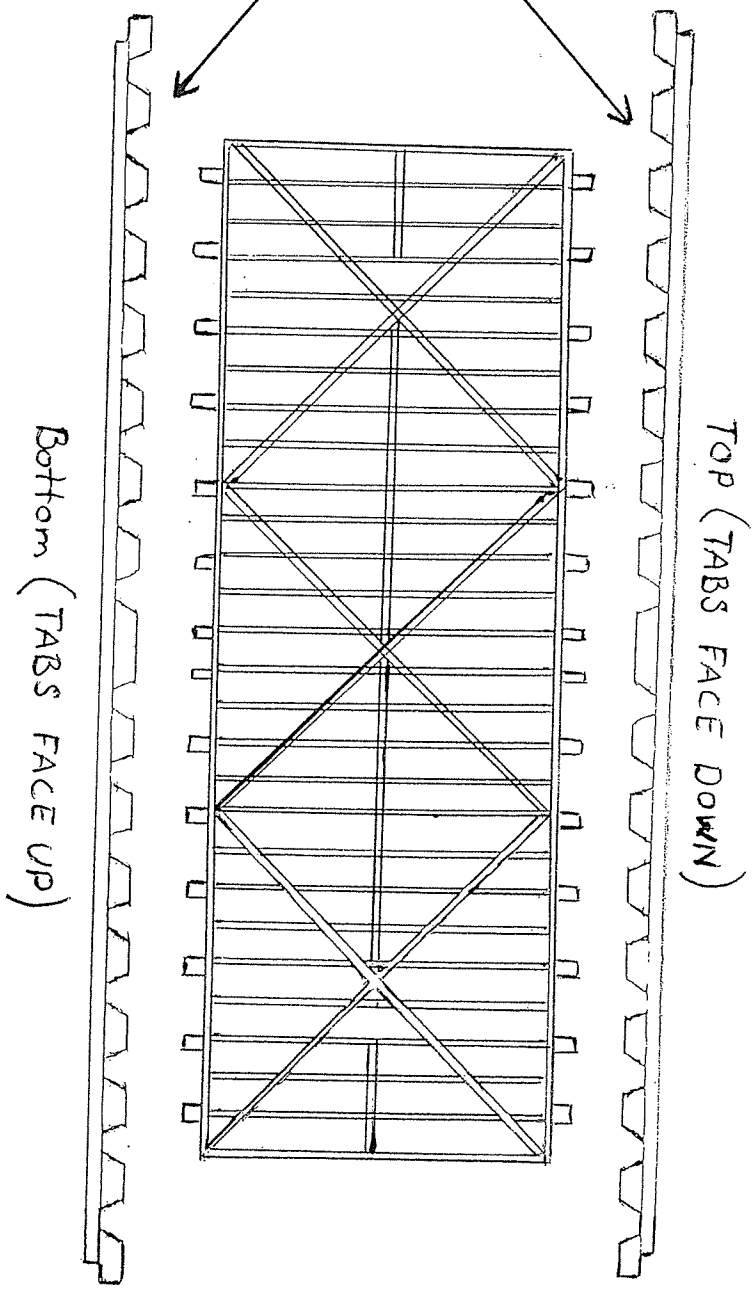
Door CLIPS
ON AT THIS POINT.





SIDE PANEL
INSTALLATION
POINTS

"NOTE"
INSTALLATION
TABS ON TOP
+ BOTTOM



"NOTE"
INSTALLATION
TABS ON TOP
& BOTTOM

